

# Plexo<sup>3</sup> weatherproof cabinets

Catalogue No(s): 6019 32/94/96/98/54/56/58/61/62/63/65/66/67/68

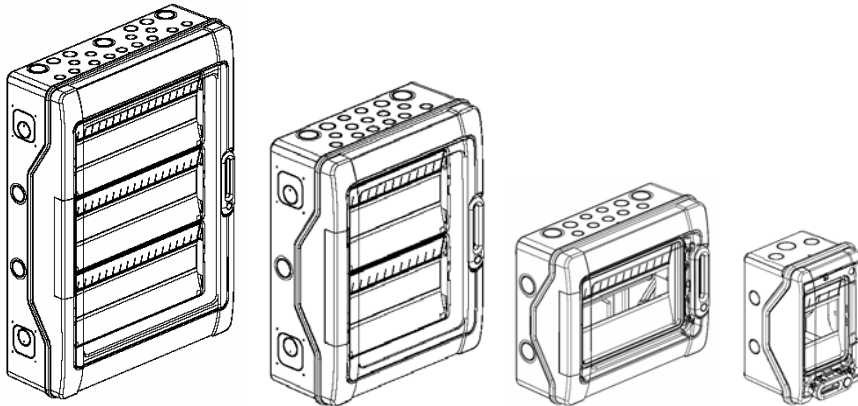
6019 74/76/78/81/82/83/85/86/87/88

6018 31/32/33/35/36/37/38

## CONTENTS

## PAGES

1. Description, use.....	1
2. Range, equivalence table.....	1
3. Overall dimensions.....	2
4. General characteristics.....	2-3
5. Conformity and approvals.....	3
6. Equipment and accessories.....	4-5-6



## 1. DESCRIPTION, USE

Weatherproof PLEXO<sup>3</sup> IP65 cabinets from 2 to 4x18 modules.

- . Impact-resistant reinforced polystyrene material
- . Removable chassis and faceplates from two-row versions upwards
- . Two-position rail for modular products and moulded boxes
- . Spacing between rails: 150 mm
- . Accommodates perforated plates and plain faceplates for mounting of non-modular products
- . Fixing of complete Plexo programme flush-mounted on the side of the cabinet from two-row versions upwards
- . Lockable door handle, tamper-evident cover and faceplate
- . Door and cabinet totally reversible
- . Direct perforation entry glands supplied

## 2. RANGE, EQUIVALENCE TABLE

### 2.1 Cabinets without terminal block

New Cat. No.	Number of rows	Number of modules	Previous Cat. No.
6019 32	1	2 (+1)	017 32/02
6019 94	1	4	017 34
6019 96	1	6	017 36
6019 98	1	8	017 38
6018 31	1	12	017 41
6018 32	2	24	017 42
6018 33	3	36	017 43
6018 35	1	18	-
6018 36	2	36	017 45
6018 37	3	54	017 46
6018 38	4	72	-

### 2.2 Cabinets supplied with earth terminal block

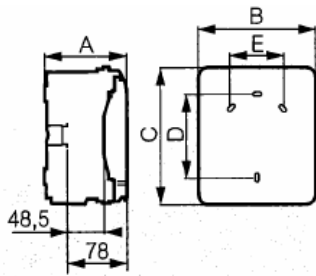
New Cat. No.	Number of rows	Number of modules	Previous Cat. No.
6019 54	1	4	017 04
6019 56	1	6	017 06
6019 58	1	8	017 08
6019 61	1	12	017 11 / 019 11
6019 62	2	24	017 12 / 019 12
6019 63	3	36	017 13 / 019 13
6019 65	1	18	-
6019 66	2	36	017 15 / 019 15
6019 67	3	54	017 16 / 019 16
6019 68	4	72	-

### 2.3 Cabinets supplied with earth + neutral terminal block

New Cat. No.	Number of rows	Number of modules	Previous Cat. No.
6019 74	1	4	-
6019 76	1	6	-
6019 78	1	8	-
6019 81	1	12	017 21
6019 82	2	24	017 22
6019 83	3	36	017 23
6019 85	1	18	-
6019 86	2	36	017 25
6019 87	3	54	017 26
6019 88	4	72	-

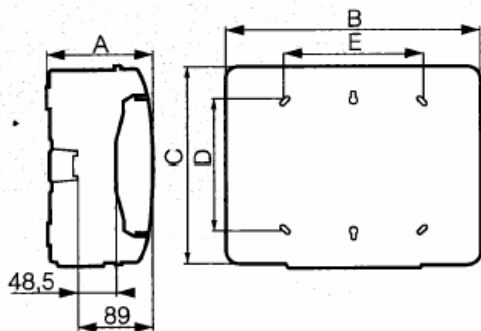
## 3. OVERALL DIMENSIONS

### 3.1 Two- to eight-module cabinets



Cat. Nos	Dimensions (mm)				
	A	B	C	D	E
6019 32	109	93	174	94	-
6019 94/74/54	115.6	128	200	120	-
6019 96/76/56	115.6	164	200	120	70
6019 98/78/58	115.6	200	200	120	106

### 3.2 Twelve- to eighteen-module cabinets



Cat. Nos	Dimensions (mm)				
	A	B	C	D	E
6018 31	141	340	282	180	180
6019 81/61	161	340	432	330	180
6018 33	161	340	622	480	180
6019 83/63	141	448	282	180	290
6018 35	161	448	432	330	290
6019 85/65	161	448	622	480	290
6018 36	161	448	822	680	290
6019 86/66	161	448	822	680	290
6018 37	161	448	822	680	290
6019 87/67	161	448	822	680	290
6018 38	161	448	822	680	290
6019 88/68	161	448	822	680	290

## 4. GENERAL CHARACTERISTICS

### 4.1 Technical characteristics

- . Box colour: light grey L750A
- . Cover colour: dark grey RAL 7046
- . Shutter colour: transparent blue
- . Protection rating: IP65 – IK09
- . Self-extinguishing: 650°C
- . Dual class II insulation
- . Rated operating voltage: 400 V AC – 50/60 Hz
- . Rated insulation voltage: 400 V AC – 50/60 Hz
- . Short-circuit current: 10 kA
- . Storage and installation temperature:
  - Two to eight-module cabinets: -15°C to +55°C (+70°C/24 H)
  - Twelve to eighteen-module cabinets: -25°C to +55°C (+70°C/24 H)
- . Operating temperature: -25°C to 40°C
- . Max. permitted current:
 

6019 32/94/96/74/76/54/56:	32 A
6019 38/98/78/58:	40 A
6018 31/35, 6019 81/85/61/65:	63 A
6018 32/33/36, 6019 82/83/86/62/63/66:	90 A
6018 37/38, 6019 87/88/67/68:	125 A

### 4.2 Materials

- . Box, cover, rail brackets, terminal brackets, hinge cover and faceplate: impact reinforced polystyrene
- . Door: transparent polycarbonate
- . Handle and door identifier indicator light: polycarbonate
- . Handle bar: glassfibre-reinforced polycarbonate
- . Entry glands: polypropylene + SEBS
- . Cover/box screws and springs: stainless steel
- . Other screws: zinc-coated steel
- . Rails: galvanised steel

### 4.3 Number of knockouts

The cabinet has the same number of knockouts on the top and the bottom.

#### 4.3.1 Cabinets without terminals

Cat. No.	Number of knockouts on each side			Number of entry glands supplied		
	Ø20 mm	Ø25 mm	Ø32 mm	Ø20 mm	Ø25 mm	Ø32 mm
6019 32	2	-	-	2	-	-
6019 94	2	1	-	-	-	-
6019 96	4	1	-	-	-	-
6019 98	6	1	-	-	-	-
6018 31	7	2	2	-	-	-
6018 32	13	2	2	-	-	-
6018 33	13	2	2	-	-	-
6018 35	12	2	3	-	-	-
6018 36	13	4	3	-	-	-
6018 37	13	4	3	-	-	-
6018 38	13	4	3	-	-	-

## 4. GENERAL CHARACTERISTICS (cont.)

### 4.3.2 Cabinets supplied with earth + neutral and earth terminal block

Cat. Nos	Number of knockouts on each side			Number of entry glands supplied		
	Ø20 mm	Ø25 mm	Ø32 mm	Ø20 mm	Ø25 mm	Ø32 mm
6019 74/54	2	1	-	2	1	-
6019 76/56	4	1	-	4	1	-
6019 78/58	6	1	-	6	1	-
6019 81/61	7	2	2	7	2	1
6019 82/62	13	2	2	13	2	1
6019 83/63	13	2	2	13	2	1
6019 85/65	12	2	3	11	2	1
6019 86/66	13	4	3	13	2	1
6019 87/67	13	4	3	13	4	1
6019 88/68	13	4	3	13	4	1

## 4.4 Terminal capacity and number of blanks

### 4.4.1 Cabinets without terminal block

Cat. No.	IP 2X Terminal blocks			Plugs 5 modules
	Screw terminals Earth		Screw terminals Neutral	
	1.5 - 16 mm <sup>2</sup>	6 - 25 mm <sup>2</sup>	1.5 - 16 mm <sup>2</sup>	
6019 32	-	-	-	-
6019 94	-	-	-	-
6019 96	-	-	-	-
6019 98	-	-	-	-
6018 31	-	-	-	-
6018 32	-	-	-	-
6018 33	-	-	-	-
6018 35	-	-	-	-
6018 36	-	-	-	-
6018 37	-	-	-	-
6018 38	-	-	-	-

### 4.4.2 Cabinets supplied with earth terminal block

Cat. No.	IP 2X terminal blocks			Blanks 5 modules
	Screw terminals Earth		Screw terminals Neutral	
	1.5 - 16 mm <sup>2</sup>	6 - 25 mm <sup>2</sup>	1.5 - 16 mm <sup>2</sup>	
6019 54	4	-	-	-
6019 56	4	-	-	-
6019 58	8	-	-	-
6019 61	12	1	-	1
6019 62	16	1	-	2
6019 63	21	1	-	2
6019 65	16	1	-	1
6019 66	21	1	-	2
6019 67	26	1	-	3
6019 68	34	1	-	3

### 4.4.3 Cabinets supplied with earth + neutral terminal block

Cat. No.	IP 2X Terminal blocks				Blanks 5 modules
	Screw terminals Earth		Screw terminals Neutral		
	1.5 - 16 mm <sup>2</sup>	6 - 25 mm <sup>2</sup>	1.5 - 16 mm <sup>2</sup>	6 - 25 mm <sup>2</sup>	
6019 74	4	-	4	-	-
6019 76	4	-	4	-	-
6019 78	8	-	8	-	-
6019 81	12	1	12	1	1
6019 82	16	1	16	1	2
6019 83	21	1	21	1	2
6019 85	16	1	16	1	1
6019 86	21	1	21	1	2
6019 87	26	1	26	1	3
6019 88	34	1	34	1	3

## 5. CONFORMITY AND APPROVALS

IEC 60 439-3  
IEC 60 695-2-11  
IEC 62 262  
RoHS  
WEEE  
REACH

# Plexo<sup>3</sup> weatherproof cabinets

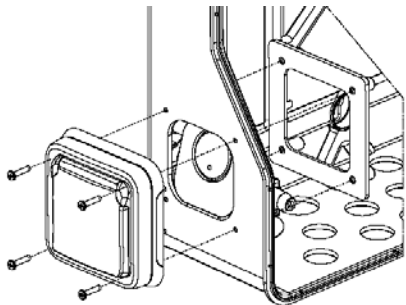
Catalogue No(s): 6019 32/94/96/98/54/56/58/61/62/63/65/66/67/68

6019 74/76/78/81/82/83/85/86/87/88

6018 31/32/33/35/36/37/38

## 6. ACCESSORIES

### 6.1 Plate for fixing flush-mounted Plexo wiring devices Cat. No. 019 71 from two-row cabinet versions upwards

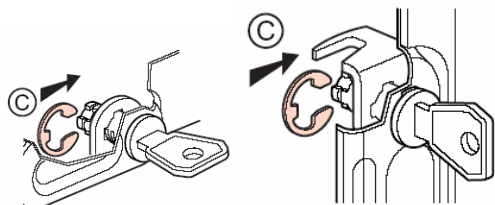


### 6.2 Key lock Cat. No. 019 66

Key lock no. 850

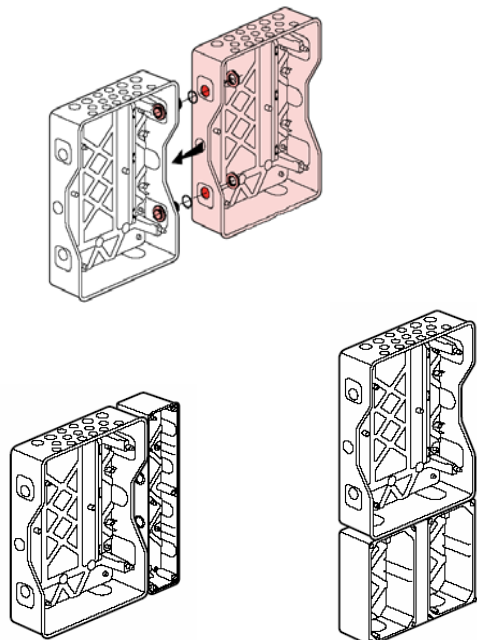
2- to 8-module cabinets

12- to 18-module cabinets



### 6.3 Joining kit Cat. No. 019 67

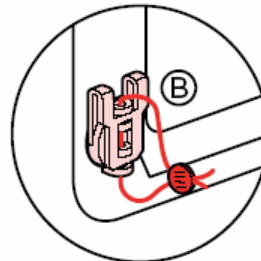
Used to run cables between two cabinets or horizontal or vertical multifunction sleeves, while maintaining IP65 protection.



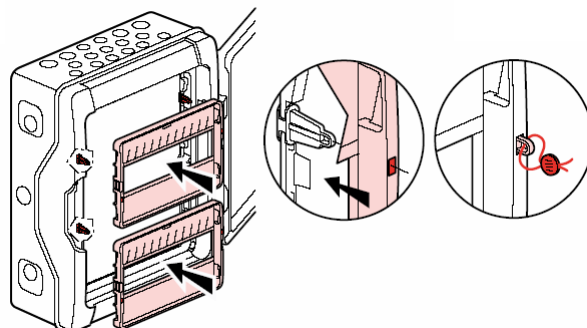
### 6.4 Sealing kit Cat. No. 019 68

Set of two sealable terminal shields for covers and eight sealable brackets for faceplates.

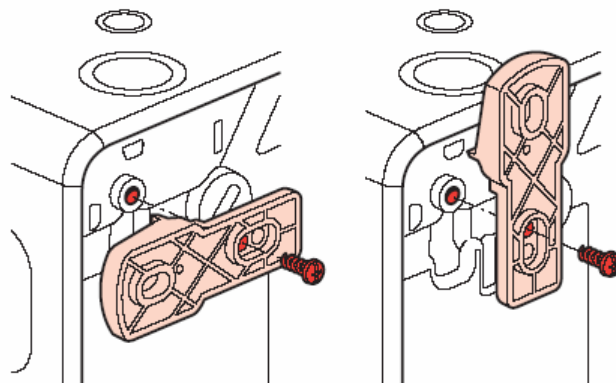
#### 6.4.1 Sealable terminal shields for covers



#### 6.4.2 Sealable brackets for faceplates



### 6.5 Set of four wall mounting lugs Cat. No. 019 69



Two modules: vertical only.

### 6.6 Blanking plates Cat. No. 019 61

Set of five, separable into modules or half-modules, dark grey RAL 7046.

# Plexo<sup>3</sup> weatherproof cabinets

Catalogue No(s): 6019 32/94/96/98/54/56/58/61/62/63/65/66/67/68

6019 74/76/78/81/82/83/85/86/87/88

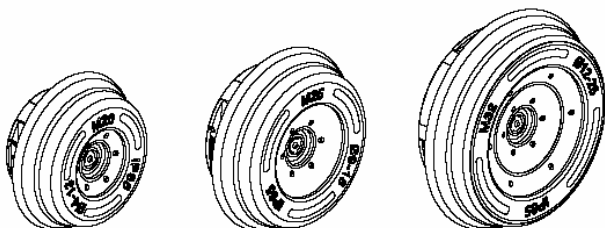
6018 31/32/33/35/36/37/38

## ACCESSORIES (cont.)

### 6.7 Direct perforation entry glands Cat. No. 019 55

Pack comprising 2 ISO Ø32 mm entry glands, 5 ISO Ø25 mm entry glands and 10 ISO Ø20 mm entry glands

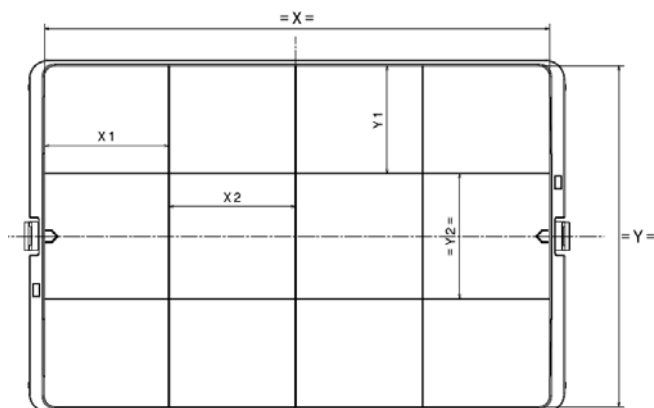
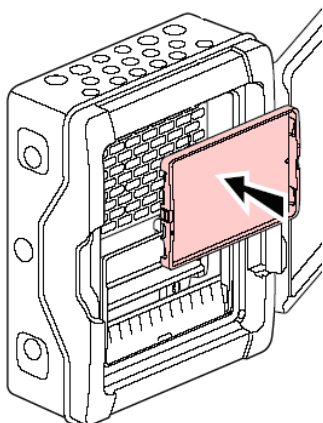
These entry glands maintain the cabinet's IP65 and IK09 ratings.



### 6.8 Plain faceplates

for 12-module cabinets Cat. No. 019 64

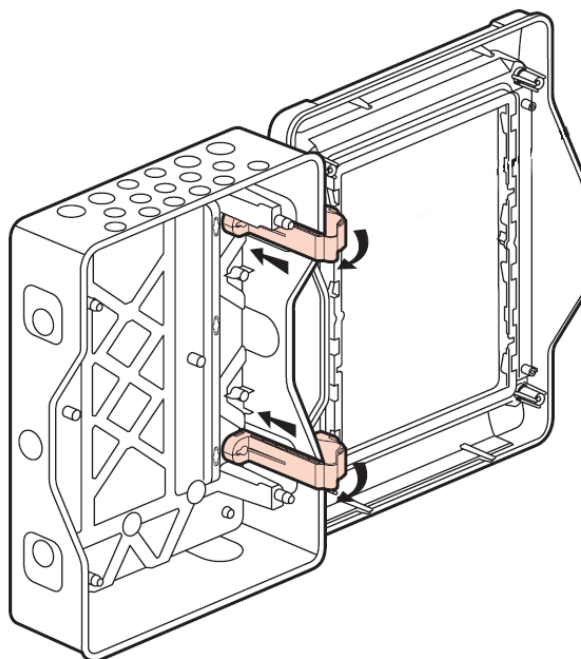
for 18-module cabinets Cat. No. 019 65



Cat. No.	X	X1	X2	Y	Y1	Y2
019 64	215	53	54	145	45	53
019 65	324	53	54	145	45	53

### 6.9 Hinges Cat. No. 019 70

Set of 2 hinges connecting the back of the cabinet to the cover.

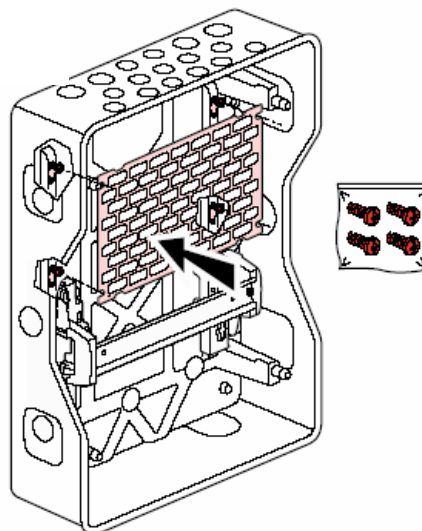


### 6.10 Perforated plates supplied with four fixing screws

Used to replace the DIN rail with a LINA 25 plate to incorporate non-modular products.

For 12-module cabinet, height 150 mm, Cat. No. 019 62

For 18-module cabinet, height 150 mm, Cat. No. 4018 53



## ACCESSORIES (cont.)

### 6.11 Terminal block support

Cat. No. 019 72 for 12-18 module cabinet

Cat. No. 019 73 for 24-72 module cabinet

